

# Link-Belt®

## C R A N E S

**The Link-Belt TCC is the future of how tough jobs get done!**

- ✓ Low overhead clearance
- ✓ SmartFly
- ✓ Unprecedented pick and carry capacities
- ✓ Link-Belt's vision package
- ✓ Cummins Stage V QSB diesel engine
- ✓ Fast set up & move



### Take control with Pulse 2.0

- 10" full color touch screen display
- Integrated RCL & ECM data
- Advanced diagnostics and monitoring features
- WiFi enabled for software updates
- Easy access electronic manuals
- Operator defined virtual wall with functional kick-outs

# TCC 800

**80-ton | 75 mt Telescopic Crawler Crane**

- 38.6' – 120' (11.8-36.6m) Form boom
- 120' + 58' (36.6-17.7m) Max boom & Fly
- 18,183lb ( 8,247 kg) Max line pull
- 16,000lbs (7 257kg) Permissible pull
- 38,500lbs (17 237kg) Upper counterweight
- 2 x 3,000lbs (1 361kg) Lower counterweight
- 14' (4.3m) Extended track gauge
- 11' 11.1" (3.6m) Intermediate gauge
- 8'- 5.0" (2.6m) Retracted track gauge



# TCC 800

80 USt (75 mt)  
Telescopic Crawler Crane

# The bar has been raised...

Simple one-person erection and storage technology that minimizes work at height

**SmartFly**  
by Link-Belt



Fly assist cylinder launches and stows fly at zero boom angle.



Fly interlock system ensures proper procedure. Boom head speed screws allow for simple, efficient assembly/disassembly.



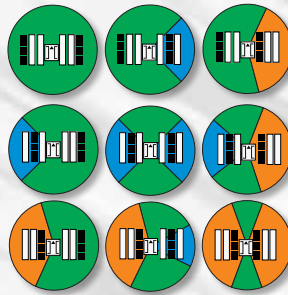
## Full power boom with attachment flexibility

With its 4-section 38.6 – 120 ft (11.8 - 36.6m) full power boom, the TCC-800 can reach over any obstacle that might get in the way. This unit also features an optional 35-58 ft (10.7 -17.7m) 2-piece lattice fly for a maximum of 184.5 ft (56.2m) of tip height.

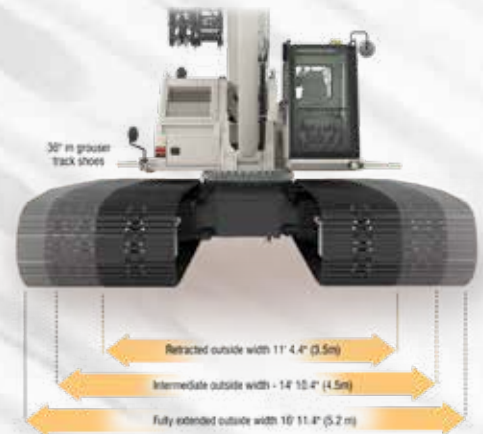
- Quick reeve boom head eliminates the need to remove the socket and wedge to change the reeving.
- Offset fly: 0°, 15°, 30°, 45°
- Lightweight nylon head sheaves with sealed bearings reduce overall machine weight and increases lift capacities.
- Auxiliary sheave
- Hammerhead boom nose allows operator to work at high boom angles
- 360° remote control with high intensity discharge light mounted on boom & upper frame

## Safe, simple, and easy to understand!

- Real-time 360° Charts
- Integrated RCL
- User friendly interface
- Live preview mode
- Incorporated swing arrest



- Full tracks - 360° capacities
- Intermediate tracks - 360° capacities
- Retracted tracks - 360° capacities



## Quick mobilization & superb job site mobility

- Main unit transports in ONE LOAD under 100,000 lbs (45 359 mt)
- One overflow load transports at 44,500 lbs (20 185 mt)
- 2 mph (3.2 km/h) high speed travel
- Quick mobilization to and from the jobsite
- Folding upper guardrails



**Link-Belt**  
CRANES

Lexington, Kentucky | www.linkbelt.com



©Link-Belt is a registered trademark. Copyright 2024 All rights reserved. We reserve the right to change designs and specifications at any time. Litho in U.S.A 2/24 4488 #LIT 4603 (Supersedes 4579)